

## Thea IQ Touch Panel

### Smart Building Functions

#### Manage your smart building remotely if you wish.

In home and office spaces and galleries and general sites, you can centrally manage all of the smart home / smart building / automation functions from a single point. Control points can be located in screen as sketch, picture of the location or grid. Therefore a user-friendly interface provides ease of use for all ages. All of these functions can be utilized even from a distance by your mobile phone.

- Illumination • Dimming • Curtain - Shutter • Thermostat • Alarm - Security

#### Compose your own scenarios.

You can assign smart home functions to a single button, using TheaIQ scenario editor, and activate the scenario with one touch. You can fictionalize time-dependent scenarios. It is possible to compose personal scenarios such as turn off the whole lighting system every evening at 11:30 p.m, turn on garden lightning every evening at 6:00 p.m. and turn off it every morning at 6:30 a.m.



### Camera Display

#### Monitor your cameras instantly.

Images of IP cameras within the same network can be monitored live. After a proper IP configuration, footage can be displayed from your mobile phone or your tablet.

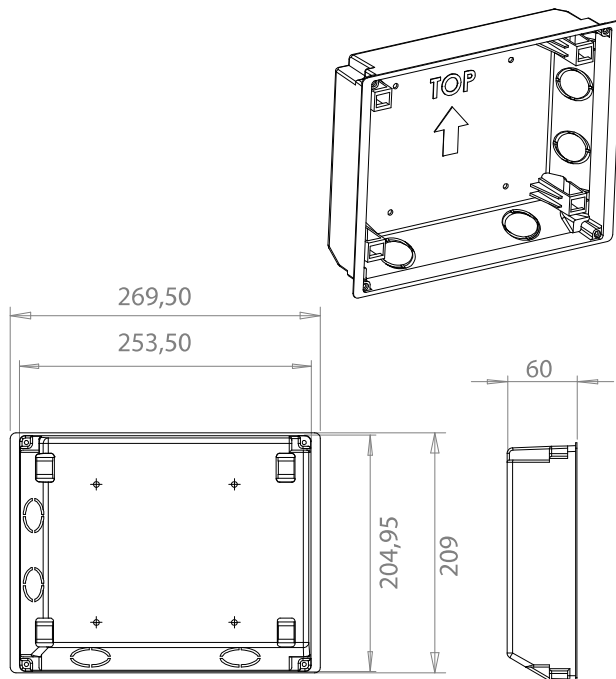
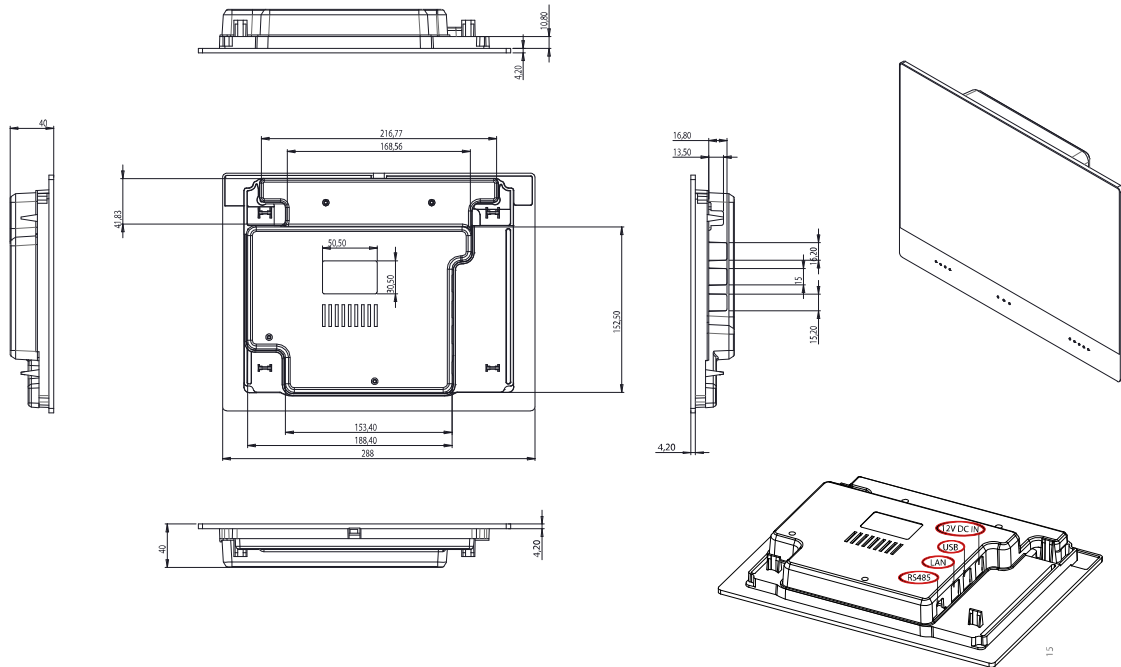
### Alarm and Security

#### Use your own security system.

You can use indefinite security system without fee by adding products such as smoke detector, gas leak detector, flood detector and magnetic gate detector to system. It is possible to activate alarm before leaving home and then deactivate it with your personal password. In case of any alarm, the screen starts to give siren sound and security staff of the housing estate is warned. The relevant settings are sent to your mobile phone or tablet and shared as notification. In case of a proper configuration in your system, electricity, gas and water can be cut automatically. Past alarm notifications are recorded and can be monitored.



■ DIMENSIONS



Wall Mounting Box

■ TECHNICAL DATA

Operating voltage	12 – 30 DC
Power Consumption	6.5W, 600mAh
Processor	Quad-core Rockchip, the highest frequency 1.2GHz
Memory	1GB DDR3 RAM
Screen	1280 x 800 IPS Screen 300 Cd/m2.
Interfaces	Ethernet / Wi-Fi , RS-485, 1xUSB Host
Front Unit	10" – 0,45cm
Resolution (in Pixel)	1280 x 3(RGB) x 800
Method of operating	Capacitive Multi Touch
Acceptable temperature	-20°C ... +65°C
Speaker/ Amplifier	8 ohm, 2W 2*Speaker Stereo