

HIGH SECURITY ANTI-RAM BOLLARD

ATB6590

Arma Hydraulic Bollards resistant to impacts and weather conditions are manufactured from European norm 304 Quality Stainless pipes with advanced technology. The diameter and height of the bollards vary according to the area requirements or desired safety level. The electronic characteristics enable the lowering/raising to be controlled by any entry control system including all types of card readers, remote control, biometric readers recognizing fingerprints, automatic plate recognition system or even a simple control button. Whatsmore, the safety accessories like magnetic loop detectors, photocells, flashing lights or red/green traffic lights might be easily integrated into the system.

Patent No 2012/12603



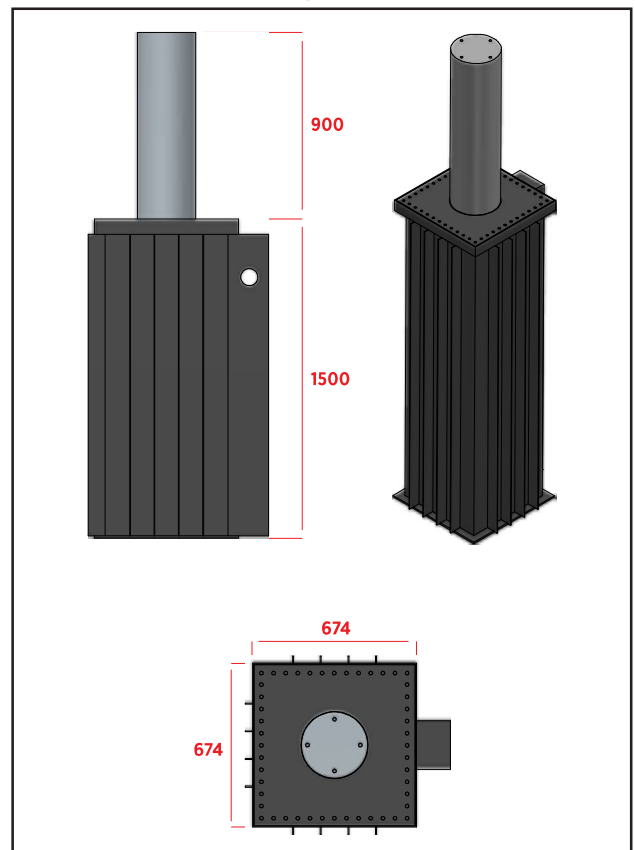
Technical Specifications

Bollard Height	900mm
Bollard Diameter	273mm
Wall Thickness	16mm
Material of the Moving Part and Case	S235J2
Finish	Electrostatic Powder Coated
Drive Movement	Hydraulic Driven
Motor Power	1,5 to 7,5 Kw
Power Supply	3 Phase 380 V (±10) AC, 50/60 HZ
Rising / Falling Time	6-8 sec.
Axle Load	20 Tons
Impact Resistant (without deformation)	1224 KJ
Control Panel	PLC (Programmable Logic Controller)
Safety Support	Loop Detector
Compatibility with Access Control Systems	License Plate Recognition, Card Reader, Finger Print etc.
Operating Temperature	-25° C - +50° C
Protection Class	IP 67

Optional Specifications

Manual Lifting	Hand Pump
Operating Temperature	-40° C - +75° C (heating / cooling)
Warning Equipment	Flasher -Traffic Light
EFO (Emergency Fast Operation)	2 sec.
System Security Support	Safety Photocell
UPS (Back-up Power System)	In Case of Power Failure

Technical Drawing



Images

