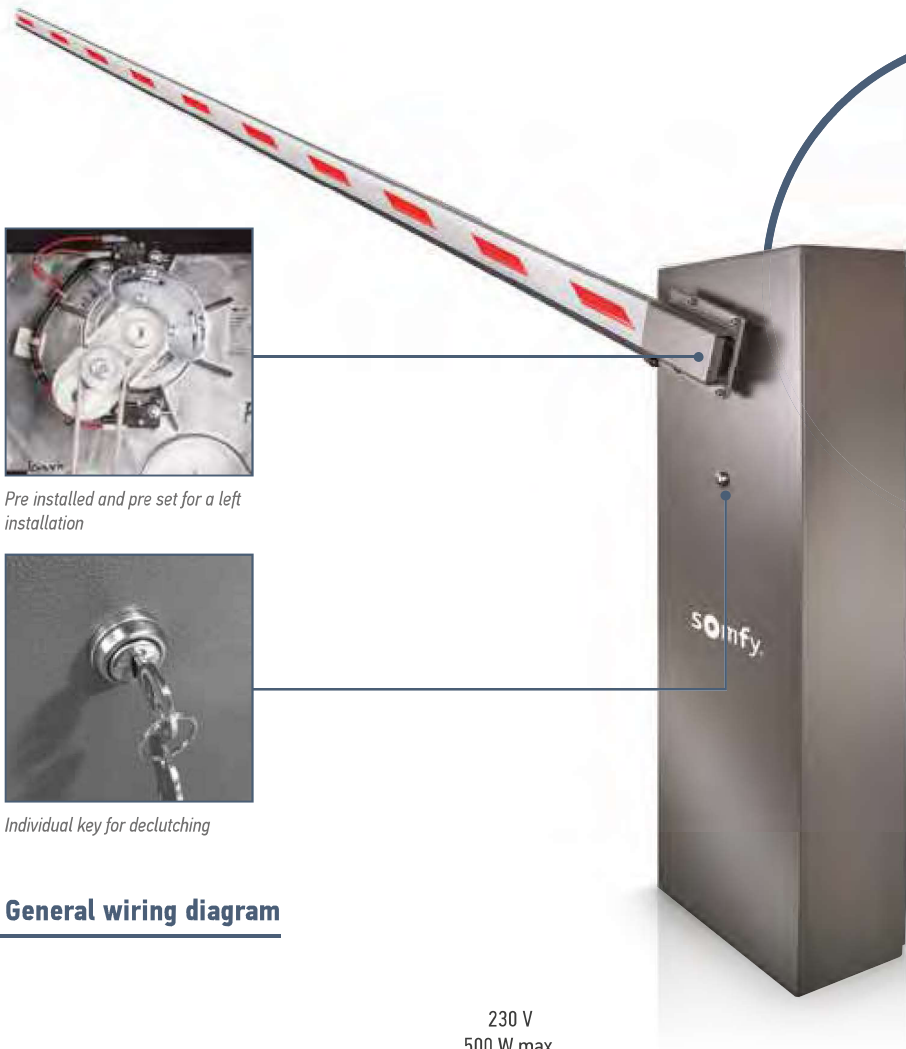


LEVIXO 30/50 230V RTS



BARRIERS



Up to 5 m
Semi-Intensive use

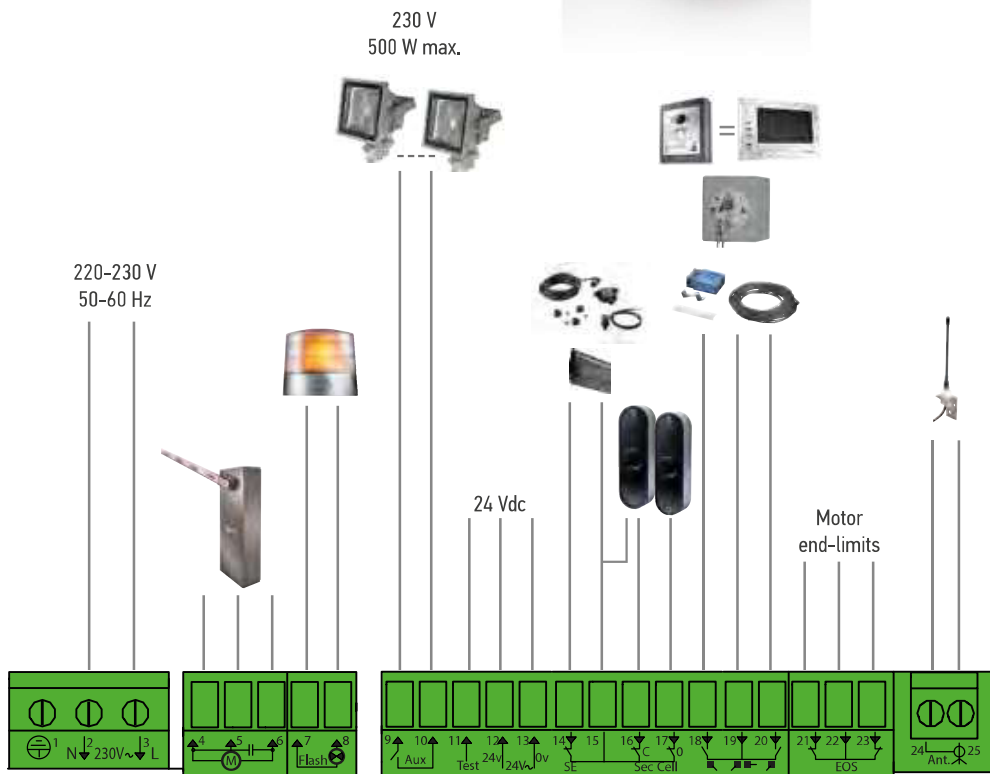


Pre installed and pre set for a left installation



Individual key for declutching

General wiring diagram



Easy to install, easy to use, ideal for your standard applications

Suitable for semi intensive use up to 600 openings and closings per day with a 5m boom

Plug and start

- Ready to go with a pre-set installation
- No self learning needed, end limits already setup
- Pre-set features ready to start or customizable if needed

Easy to use

- 6 operating modes
- Automatic closing with adjustable delay
- Fast closing setting with immediate closing after

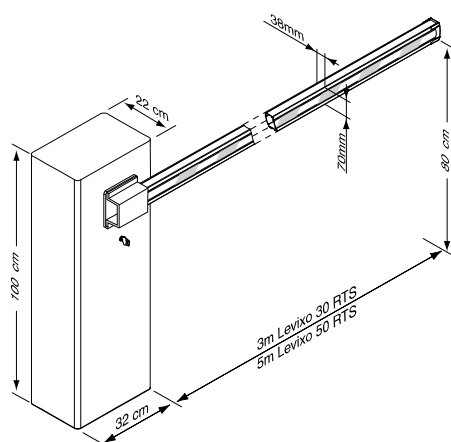
Customizable for your application

- Courtesy light or led warning compatible
- Differentiated open and close wired input
- Compatible for schedule operation with timer
- Compatible with optical safety edge

Two models

- Levixo 30 230V RTS: up to 3 meters
- Levixo 50 230V RTS: up to 5 meters

General overall size



Technical characteristics

Mains power supply	230 V
Maximum power consumption	300 W
Accessories power supply	24 V / 315 mA
Maximum number of operations/ day (Openings/Closings)	Levixo 30 960 Levixo 50 600
Maximum number of cycles per hour	Levixo 30 50 Levixo 50 70
Motor torque	Levixo 30 85 Nm Levixo 50 250 Nm

Opening time	Levixo 30	4 s
	Levixo 50	8 s
RTS radio frequency	433.42 MHz	
Number of remote controls	128 channels maximum	
Index of protection	IP 44	
Operating temperature	-20°C to +60°C	
Maximum boom length*	Levixo 30	3 m
	Levixo 50	5 m

*given for boom without extra accessories

