



T5 Pro / T5

User Manual

(V1.1)

PREFACE

Honorable customers:

Thank you for choosing products from Anviz Global Inc. Our products contain world cutting edge technologies like Fingerprint/card Recognition, Computer Communication, as well as Microelectronics. With the combination of three technologies: Electronics, Optics, and Computer Communication; Anviz Global Inc. is fast becoming the first choice for standalone time & attendance products for enterprises with its strong functions and veracity. Please read the user manual carefully before installation. You will have a general understanding of product functions and basic knowledge of installation, debugging, maintenance, application and management to better use this product.

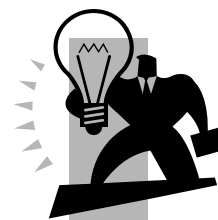
Our product adopts the latest fingerprint and RFID recognition technology. It will bring enterprises the unparalleled reliability and convenience. In which users will get many benefits from using our products.

CONTENTS

1.	Product Introduction	3
	1.1. Product overview	3
	1.2. Module	3
	1.3. Size	4
2.	Operation Guide	6
	2.1. Interface Introduction	6
	2.2. Upper Electricity	6
	2.3. Register User	7
	2.3.1. Register User's Fingerprint	7
	2.3.2. Register User's Card	7
	2.3.3. Register Card + Fingerprint	8
	2.4. Delete users	8
	2.4.1. Delete user's fingerprint	8
	2.4.2. Delete user's card / card + fingerprint	8
	2.5. Function button	9
	2.6. Register Management Cards	9
	2.7. Illustration for pressing fingerprint	10
	2.8. Usage Notice	10
3.	FAQ	12
	3.1. Fingerprint has been enrolled but gets failure in identification.	12
	3.2. The machine can't be connected with PC	12
	3.3. No records found though identification have passed	12
	3.4. The FP scanner is off and Employee can't identify.	13
	3.5. Terminal beeps automatically when no one punches in/out	13
4.	Appendix	15
	4.1. Wiring Instruction	15
	4.2. Wiring diagram of T5Pro	16

Chapter 1. Product Introduction

This chapter introduces the advantages, performance, and functionality for T5Pro / T5.



1. Product Introduction

1.1. Product overview

T5 Pro is one of the most compact access control devices in the world, and is suitable for installing on a door frame. It is combined with biometric fingerprint and RFID Card for higher security requirements. With master cards, you can register or delete users under offline state. The USB power supply and debug make operations simple. The standard Wiegand output seamlessly connects to the third part access controllers.

T5 is a biometric fingerprint and RFID Card reader with a compact design, which is suitable for installing on a door frame. With master cards, you can register or delete users under offline state. The USB power supply and debug make operations simple.

T5Pro and T5 have the same look as following:

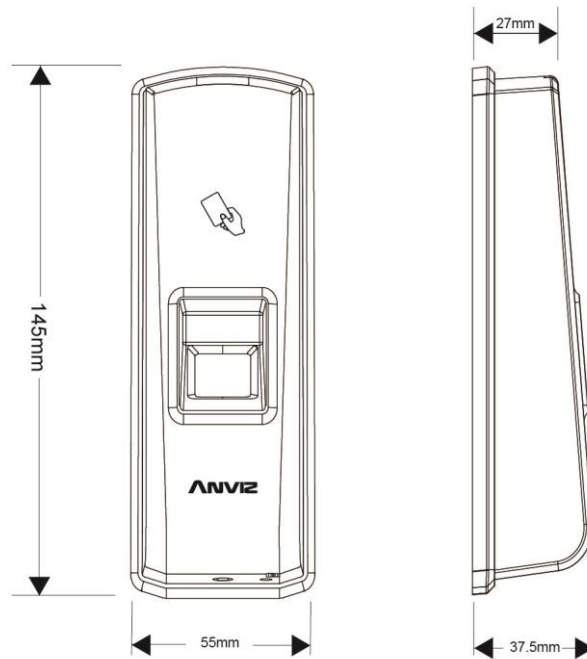


1.2. Module

Module	Feature
T5	1000 Fingerprints; 50000 Records; Infrared Auto Wakeup Sensor; Management cards for user management; Support

	TCP/IP, RS485, USB Device, Wiegand Out, Support FP, Card, Card+FP, Identification Mode; IP54; Standard EM RFID, Optional Mifare Card.
T5Pro	It is a standalone access controller, has all T5 functions, and has a relay output that can direct lock control.

1.3. Size



Chapter2. Operation Guide

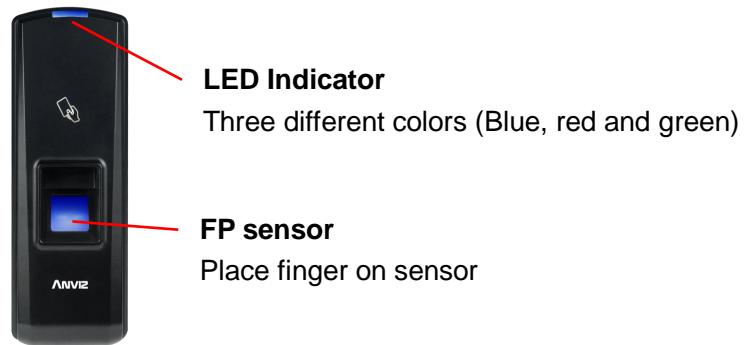
This chapter is about the hardware operation and contains information on how to set the administrator, and how to add/delete users, etc.



2. Operation Guide

2.1. Interface Introduction

Interface:






Bottom:



Note: The operation will not delete any user data stored in the device.

2.2. Upper Electricity

The DC 12V Power supplies the power to the device. Blue LED flashes fast and Fingerprint Sensor lights with beeps.

There are 4 cards in the packing: Enroll Card , Delete Card  and User Card  * 2.

2.3. Register User

2.3.1. Register User's Fingerprint

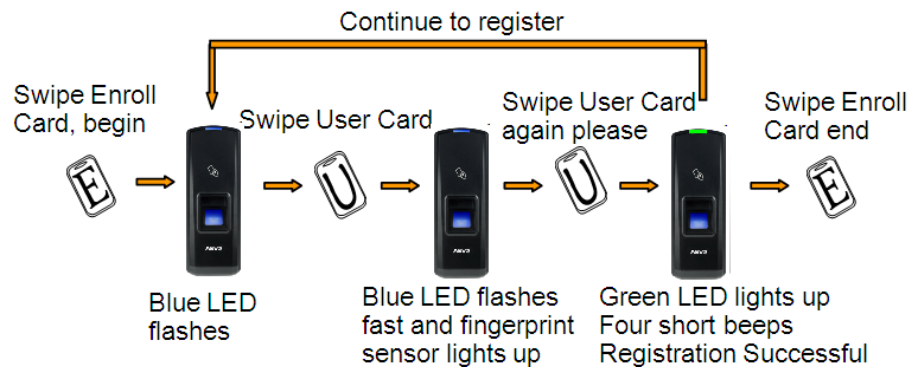
At first, swipe the Enroll Card. The blue LED will flash quickly, and enter into the registration stage. Now, we can register the user finger.



Note: If the finger has been already registered, the red LED will flash twice and follow with 2 beeps.

2.3.2. Register User's Card

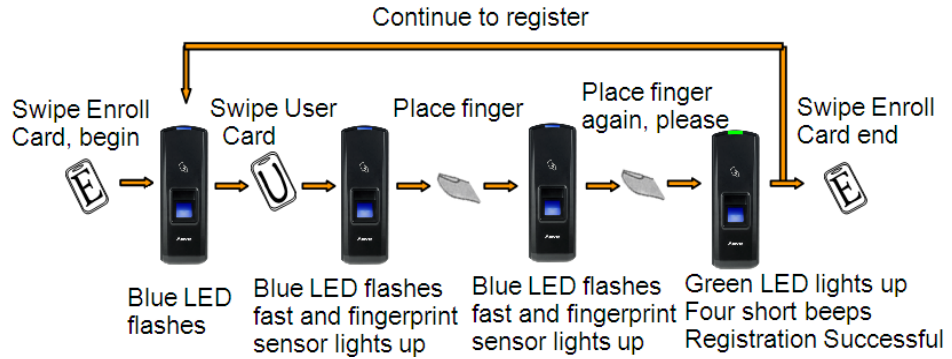
Swipe Enroll Card. The blue LED will flash quickly, and enter into registration stage. In time we can swipe the user card.



Note: If the card has been already registered, the red LED will flash twice and follow with 2 beeps.

2.3.3. Register Card + Fingerprint

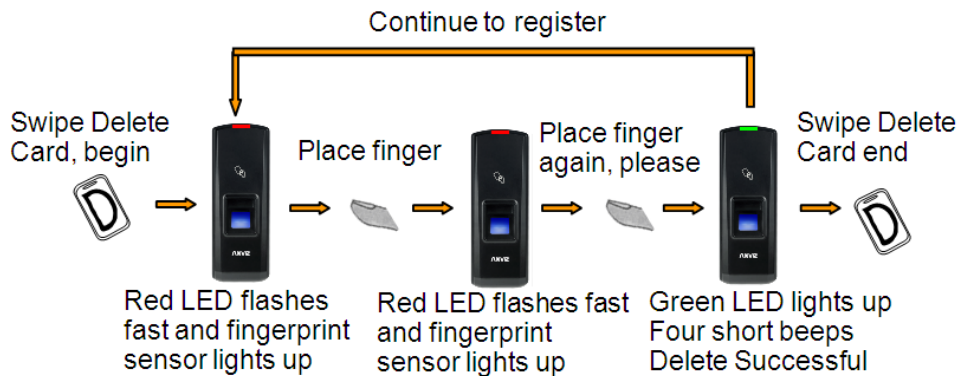
If the User Card has been already registered, the red LED will flash twice and follow with 2 beeps.



2.4. Delete users

2.4.1. Delete user's fingerprint

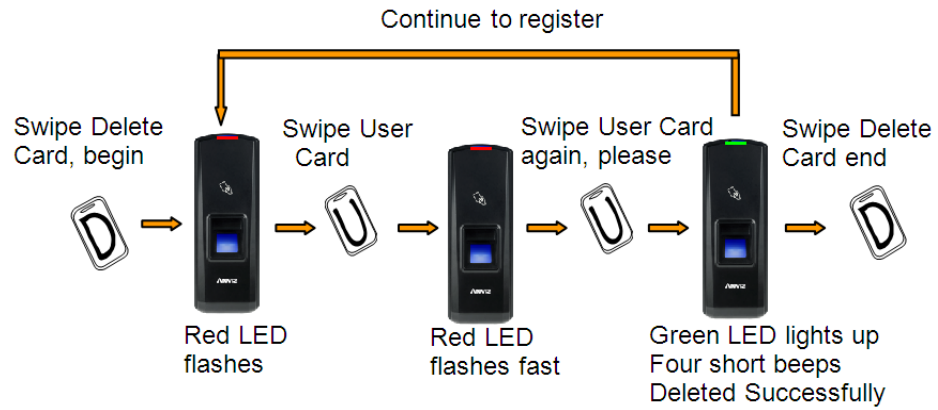
Swipe Delete Card. The red LED will flash quickly, and enter into the deletion stage. Now, you can delete the user.



Note: If the fingerprint has not been deleted in the unit, the red LED will flash twice and two long beeps will occur. Therefore, try again.

2.4.2. Delete user's card / card + fingerprint

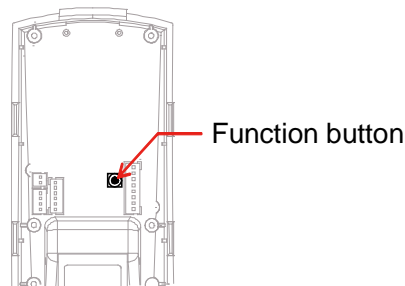
Swipe Delete Card. The red LED will flash quickly, enter into a deletion stage. Now, you can delete the user.



Note: If the fingerprint has not been deleted from the unit, the red LED will flash twice and two long beeps will occur. Therefore, try again.

2.5. Function button

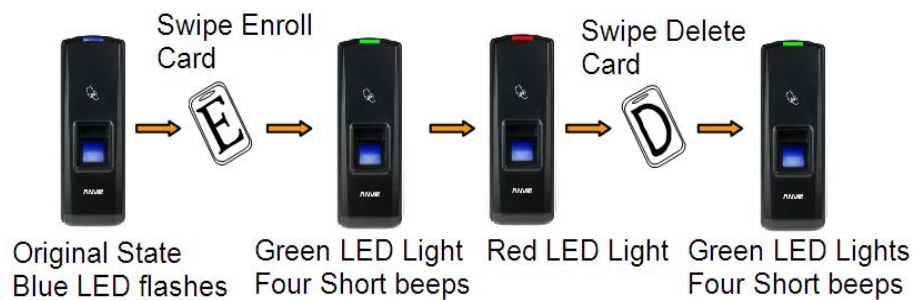
Press the button until you hear beeps. This will eliminate the Enroll Card and Delete Card information in the device. After that, you must register the management cards (Enroll Card and Delete Card) to run the machine.



Note: The operation will not delete any user data stored in the device.

2.6. Register Management Cards

Register Management Cards(Enroll Card and Delete Card):



2.7. Illustration for pressing fingerprint

Correct method:



Wrong method:



Valid

Left

Right

Defluxion

Down

1. Please register the thumb or index finger if possible.
2. Place the center of the finger flat on the center of the scanner window and press a little hard on scanner so it can scan as large finger area as possible to extract enough minutia.
3. Keep the angle and direction of finger the same each time placing on scanner.
4. Touch the forehead to increase oily level of the finger, if the fingerprint is too dry.

2.8. Usage Notice

1. Don't scratch the surface of the optical fingerprint sensor with the keen-edged things such as small knife or pen.
2. Humidity, dust, and direct light can affect the terminal's performance.
3. Please don't clean the surface of the optical fingerprint sensor with an organic impregnate such as alcohol or gasoline.
4. Recommended solution: Use one-sided adhesive tape to paste on the sensor and then remove the tape.

Chapter 3. FAQ

Frequently asked questions and answers.



3. FAQ

3.1. Fingerprint has been enrolled but gets failure in identification.

Reason	Solution
1. The fingerprint was not captured properly.	Enroll the finger again.
2. The fingerprint is too dry or too wet with oil or cosmetics.	1. Touch the forehead to increase oily level of the finger; 2. Clean fingers with towel.
3. The fingerprint has peeling or calluses.	Enroll other fingers with better quality.
4. Latent fingerprint on the surface of sensor.	Clean sensor surface (adhesive tapes recommended).

3.2. The machine cannot be connected with PC.

Reason	Solution
1. Cable not plugged in firmly or a cable hardware problem.	Plug the cable in firmly or change to another cable.
2. Not able to connect COM (wrong COM No.).	Enter the right COM No.

3.3. No records found though identification have passed.

Reason	Solution
1. Unit power break for a long time (time turn to zero as default).	Synchronize the time.
2. Minority staff fingerprint false accepted.	Change another finger and enroll again.
3. The records have not downloaded.	Downloading records in time.
4. Records are full in the machine.	Delete some records.

3.4. The FP scanner is off and Employee can't be identified.

Reason	Solution
1. Unit in sleeping status.	Press the finger to activate.
2. Terminal is not communicating or has a line obstruction.	1. Cease communication between terminal and PC. Verify the ethernet cable is communicating properly. 2. Excludes the line's obstruction.
3. Fingerprint scanner abnormal.	Restart unit or change the fingerprint module.

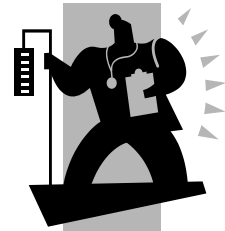
3.5. Terminal beeps automatically when no one punches in/out.

Reason	Solution
1. Direct sun light or light too bright.	Avoid direct sun light or other bright light.
2. Latent fingerprint on the surface of sensor.	Clean sensor surface (adhesive tape recommended).

Note: Should you have any other problems, please kindly email us the log files in zip or rar (The log files are in Log directory in the installation directory of the software).

Chapter 4. Appendix

The main theme of this chapter includes additional information in regards to wiring.

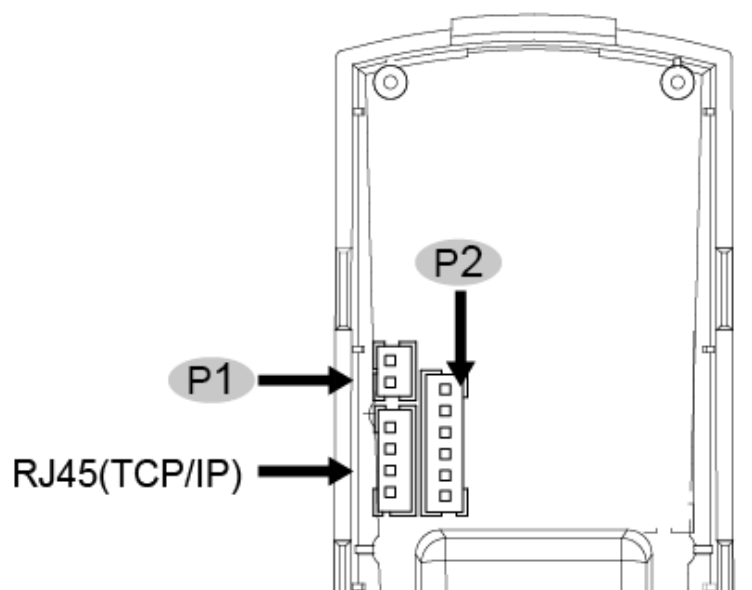


4. Appendix

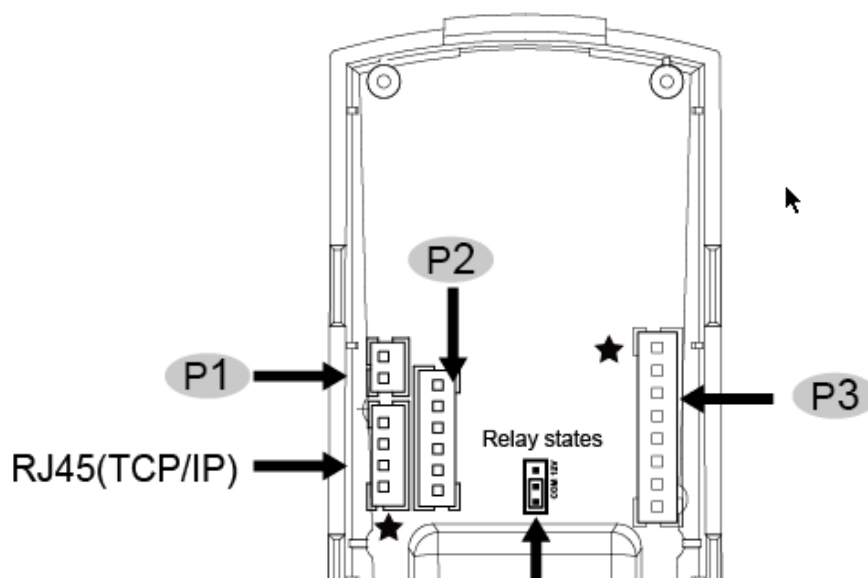
4.1. Wiring Instruction

The following shows the wiring ports on the back of device:

T5:



T5Pro:



P1: There are 2 ports for the power supply.

P1

Function	PIN	Cable Color	Description
Power	1	Red	DC12V
	2	Black	GND

P2: There are wiring terminals for Wiegand Output and RS485 interface.

P2

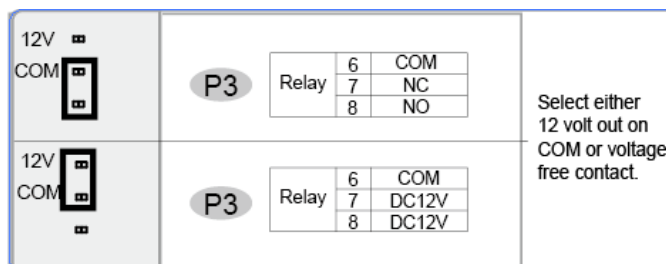
Function	PIN	Cable Color	Description
Wiegand Output	1	Green	Wiegand DATA0 Output
	2	White	Wiegand DATA1 Output
	3	Black	GND
RS485	4	Yellow	RS485A
	5	Purple	RS485B
	6	Black	GND

P3: There are wiring ports for Door Sensor, Exit Button, GND and Relay.

P3

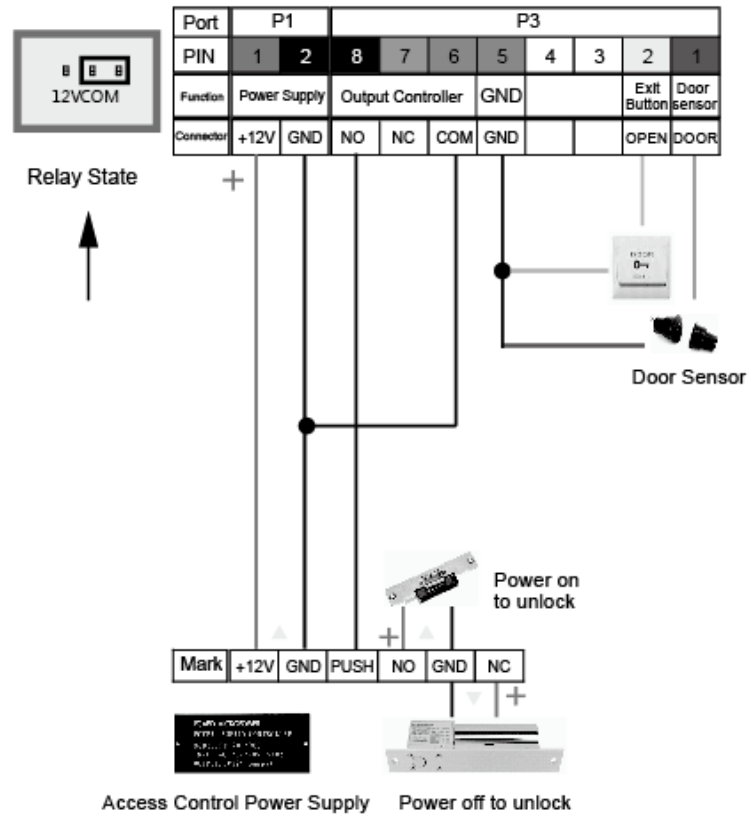
Function	PIN	Cable Color	Description
Door Sensor	1	Purple	Trigger Input
Exit Button	2	Yellow	Trigger Input
	3	White	
	4	White	
GND	5	Black	GND
Relay	6	Green	COM
	7	Orange	NC
	8	Blue	NO

Different relay state:

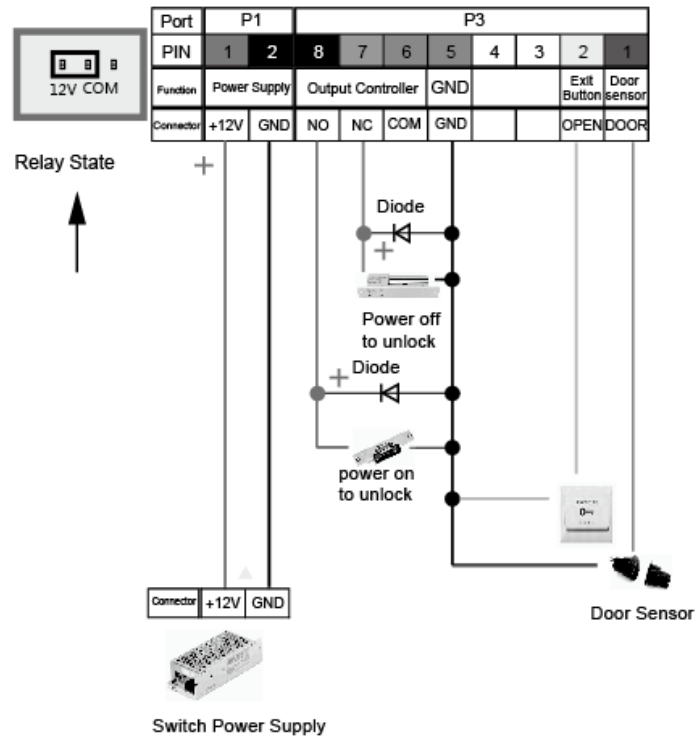


4.2. Wiring diagram of T5Pro/T5

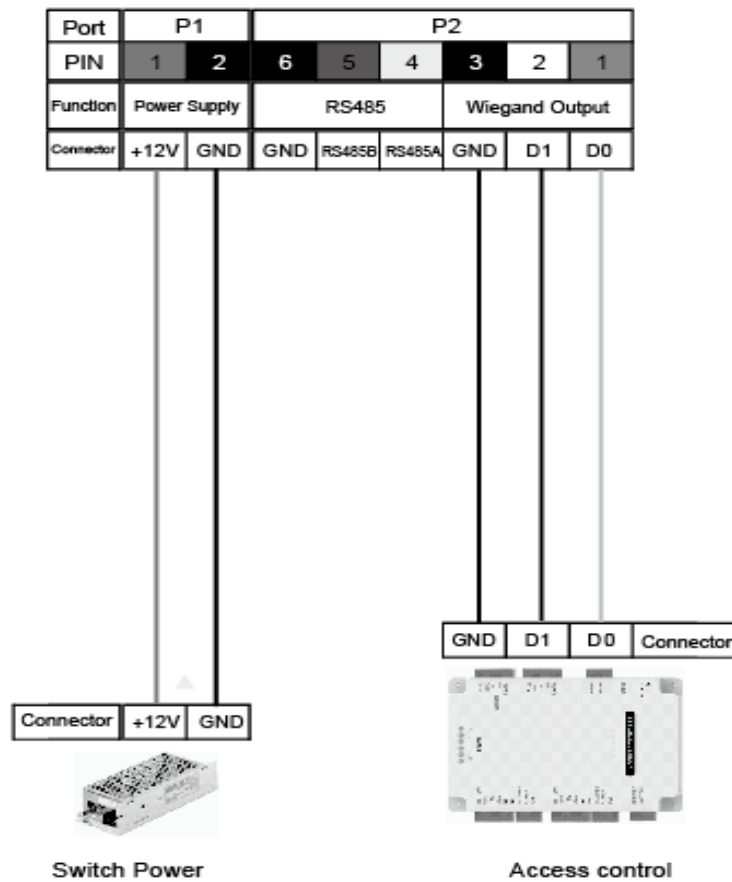
T5Pro: Connect to Power Supply control.



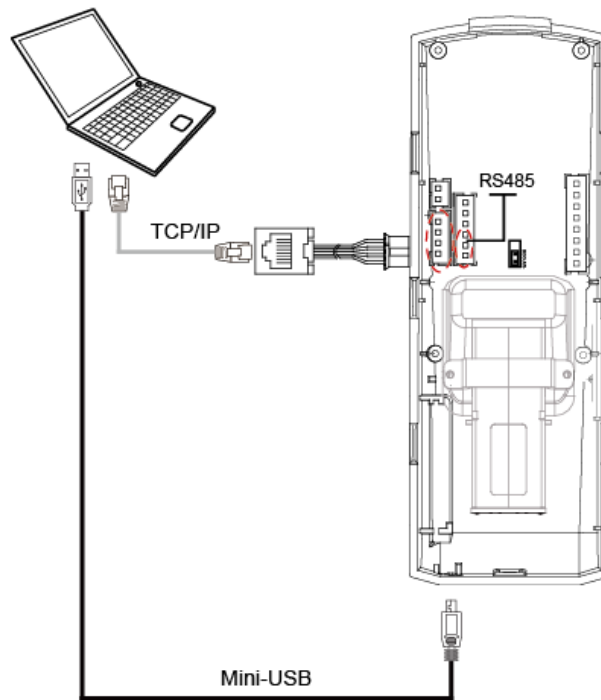
T5Pro: Connect to Switching Power Supply(SPS).



T5Pro/T5: Connect to controller as a access control reader:



T5Pro/T5: Communicate with PC :



Note: Please verify master card to enable the USB communication function.