



SEEING IS COMMUNICATION
HIKVISION VIDEO INTERCOM
PROMOTION MANUAL



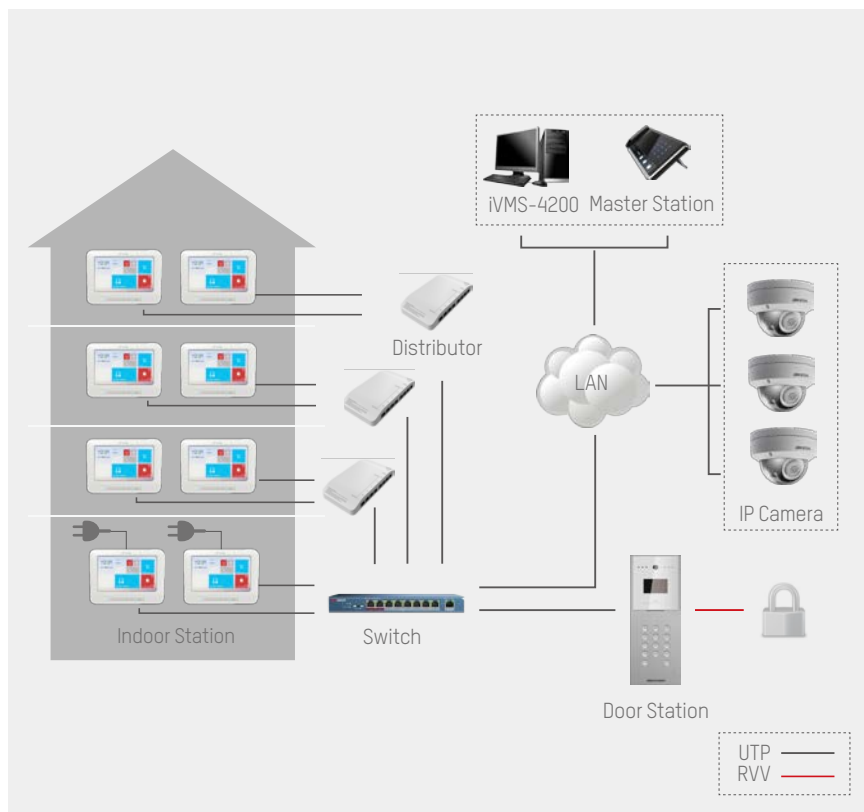
VIDEO INTERCOM PROMOTION MANUAL

There's something special about seeing the person you are speaking to. When we need a way to talk to others, but with more options and more capabilities, the usual intercom system just isn't enough. Today's technology has the capacity to make electronically mediated interaction more human and more personal than ever.

Hikvision's Visual Intercom System enhances that human element to an electronic mode of communication – by allowing callers to see each other. But that's not all. We also included a list of intelligent features that just might surprise you. This Visual Intercom extends surveillance capabilities, adding a level of safety to a user's home. It creates a hub for emergency responses. It adds an access control dimension to reinforce a sense of safety in the home or workplace. And our echo-cancellation technology ensures high quality voice transmission, providing an exceptional user experience. All this and more can be easily managed with our mobile app.

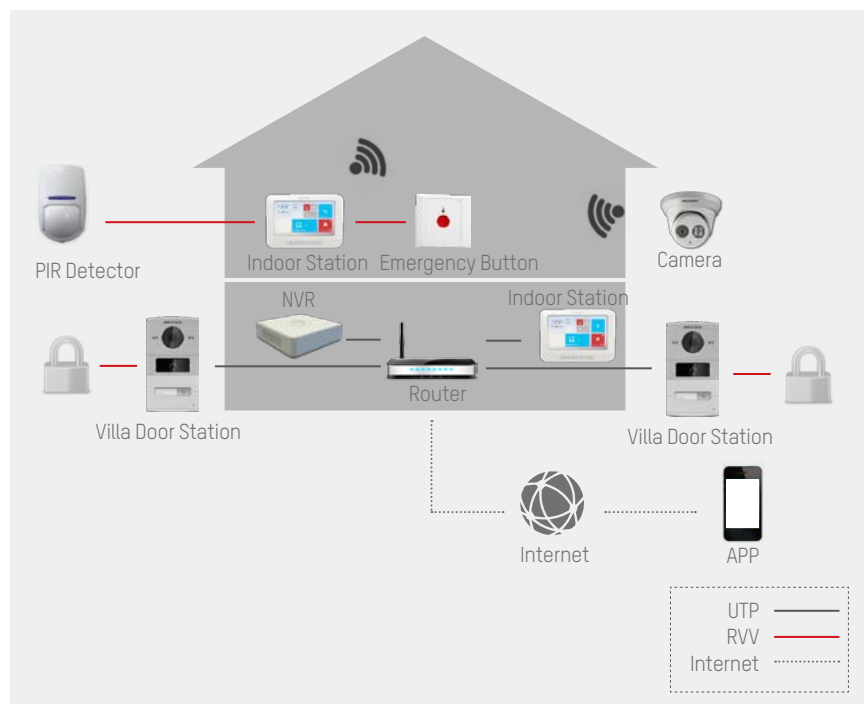
In a world where personal interaction is increasingly digitized, it's nice to find the human element in our hi-tech devices. The Visual Intercom System from Hikvision makes communication more personal, more pleasant, and more technologically advanced than ever before. Ask your distributor for our Visual Intercom System today.

SYSTEM STRUCTURE



FOR FLATS

As for Hikvision's IP Video Intercom System for Flats, the basic components include: indoor stations, (exterior) door stations, master stations, digital decoder distributors, and management software, among others. The indoor station can be powered by - and communicate via - this distributor, which supports Hikvision's PoE. The indoor station can also be connected to a regular switch (requiring an additional power supply). All equipment needs be connected to the local area network to function, and there are no special connections between devices, making the configuration flexible and convenient. Users implement and manage the intercom system with custom management software, and Hikvision closed-circuit televisions (CCTVs) can be connected to the intercom system. The indoor station can be used as a mini-monitor to remotely view the selected IP camera images.



FOR VILLAS

The indoor station in Hikvision's IP Video Intercom System for Villas can be connected with the family's local area network via Wi-Fi or wired connection. Various sensors can also be connected to the indoor station via wired connections. When an alarm is triggered, a notification can be sent over the Internet. A villa door station can be added to a NVR for real-time recording. When an exterior door station calls the indoor station, the call data can be sent to a phone app via the cloud so that residents can use the video intercom to answer calls and open the door remotely at any time, from anywhere.

SYSTEM HIGHLIGHTS



IP FRAMEWORK

Full digital IP intercom systems for buildings have been developing for over a decade. The first systems did not have video at all. Later, analog video systems were introduced before gradually evolving into today's pure digital colour IP video intercom systems. Traditional intercom systems had complicated wiring, high installation costs, low interference tolerance and easily attenuated signals. Furthermore, systems were easily overloaded, capacity was limited, interactive communication interfaces were lacking and resources could not be shared.

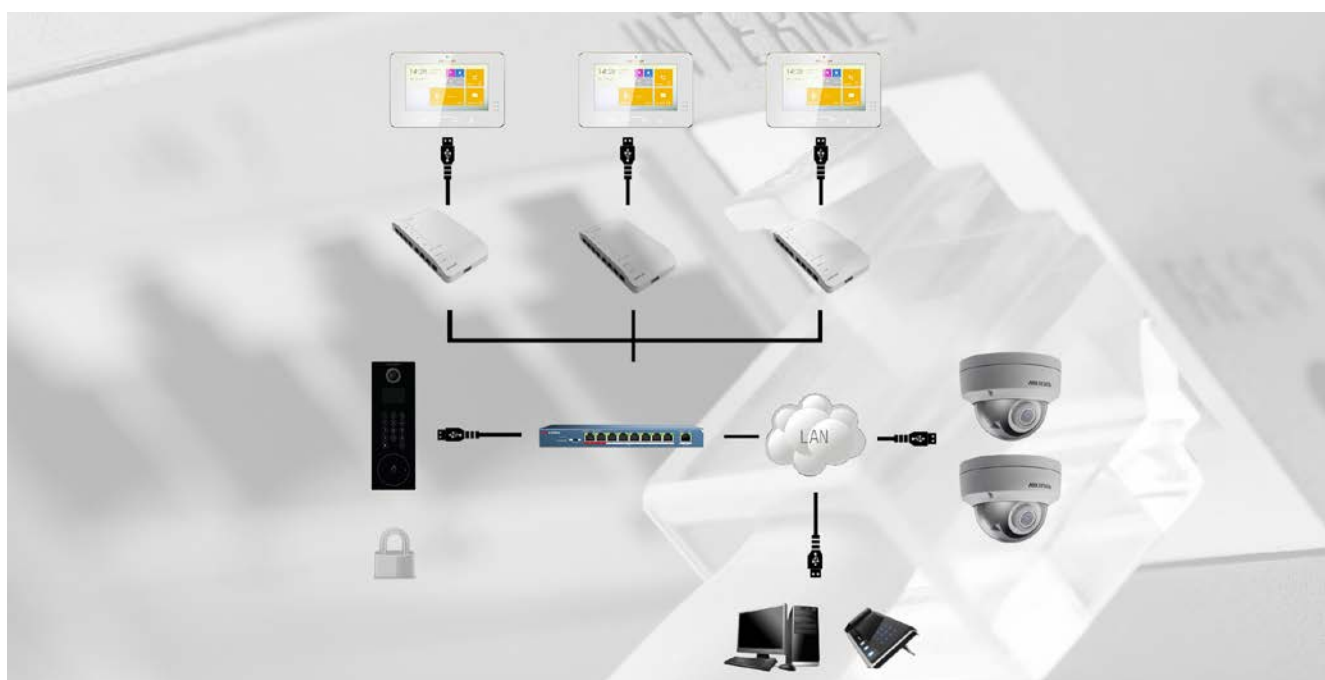
In contrast, today's IP intercom systems overcome signal transmission distances, and support full duplex intercoms and standard networking protocols. They are also easy to maintain and expand into large scale projects.

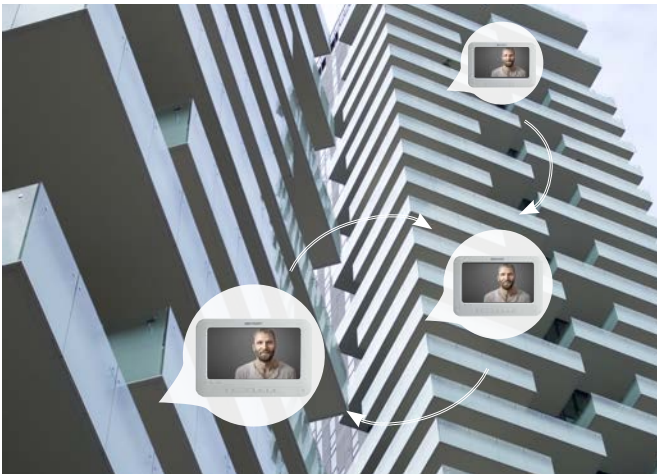
EASY TO INSTALL, EASY TO MANAGE

When compared with traditional analog video intercom systems, installation and wiring for digital video intercom systems is much more convenient and flexible. A single network cable provides all the wiring needs, greatly simplifying wiring work. Then, management software can be used across entire system for simple installation and adjustments, making the whole process quick and easy.

Parameter Comparison	Video Intercom System	
	Analog Solution	IP Solution
Cost-effectiveness	N/A	YES
Systematic complexity	High	Medium
Communication safety	N/A	Good
CCTV integration	N/A	Support
Alarm function	N/A	Support
Remote access	N/A	Support

Analog solution and IP solution comparison



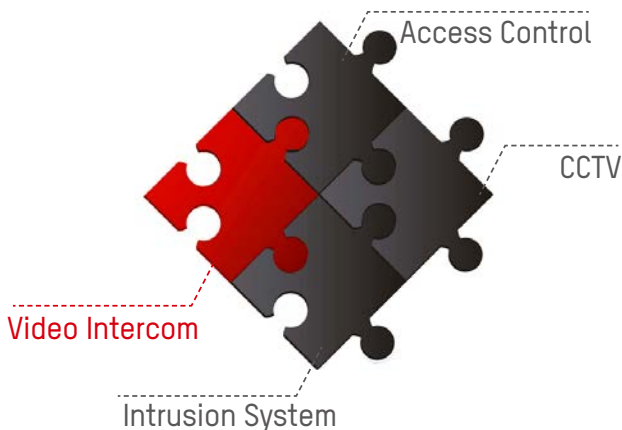


SUPPORTS HOME-TO-HOME INTERCOM & THREE-WAY CALLS

The indoor station functions as a free IP phone and supports one-touch quick dialing to any other indoor station within the same network, providing an additional method of communication among users. Visitors can use the (exterior) door station to call the indoor station. The indoor station can be configured to transmit audio and video upon answering the call. After confirmation of the visitor, the indoor station can be used to open the door remotely. Users can choose to monitor the exterior camera from the indoor station and, should there be a suspicious person, the intercom can be used to warn the person to leave safely.

HIGH-DEFINITION VIDEO INTERCOM

Thanks to extensive technical experience with video surveillance products, Hikvision video intercom door stations carry a high performance IP camera with video resolution of 1.3 MP, a wide, 120°-angle lens, and supports wide dynamic range and night vision. High definition video is maintained even under harsh background lighting or at night.



VIDEO INTERCOM FOR ALL-ROUND SECURITY

An all-round security solution includes four parts: video intercom, access control, CCTV, and intrusion system. The Video Intercom Door Station acts as an additional IP camera within a connected NVR where recordings will also be stored. An additional video surveillance IP camera can be added to an Intercom Indoor Station and viewed on an indoor panel. The Outdoor Intercom Station supports access control functionality, where multiple authentications can be applied. All access control events, including: card number, short video clips, logs, and others will be saved and an in-out report can be generated for these events. Various kinds of detectors or Pyronix intrusion system can be connected too, with push notifications to a smart phone app which manages the systems in one place. Hikvision's all-round security can provide the best value solution.

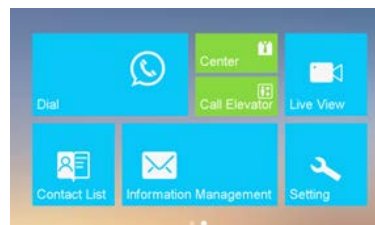
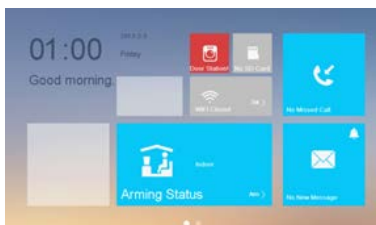
NOISE SUPPRESSION AND ECHO CANCELLATION

Noise and echo is one of the most common problems encountered in video intercom systems. During remote intercom connections, when the receiver sound level is up, or the ambient noise is relatively high, the microphone often picks up sounds and creates feedback. The resultant echo affects communication quality. To solve this issue, Hikvision intercom products use both hardware and software processing to solve the problems associated with audio processing to implement clear intercom communication between the indoor and outdoor stations and the master station.



FLAT INTERFACE, SIMPLE OPERATION

The indoor station's flat panel interface allows simple operation of key functions which are clearly displayed on the high-definition touch screen. Users can access functions with one touch – no need for in-depth knowledge. Furthermore, through the selection of function modules, size adjustments, interface layout and easy-to-use touch screen, a reasonable interface is provided for the user, improving the overall visual experience.



ACCESS CONTROL AND ALARM FUNCTION

This video intercom system is designed with access control functions. Visitors can use an access control card at a door station card reader to gain entry. The door station can issue up to 2,500 cards for each flat or apartment building. All successful entries using access control cards are automatically visually recorded and can be uploaded to the platform centre. Indoor stations can be connected with sensors for eight zones, and residents can use the indoor station for arming and disarming. In addition, alarm data can be uploaded to the platform centre and the master station.



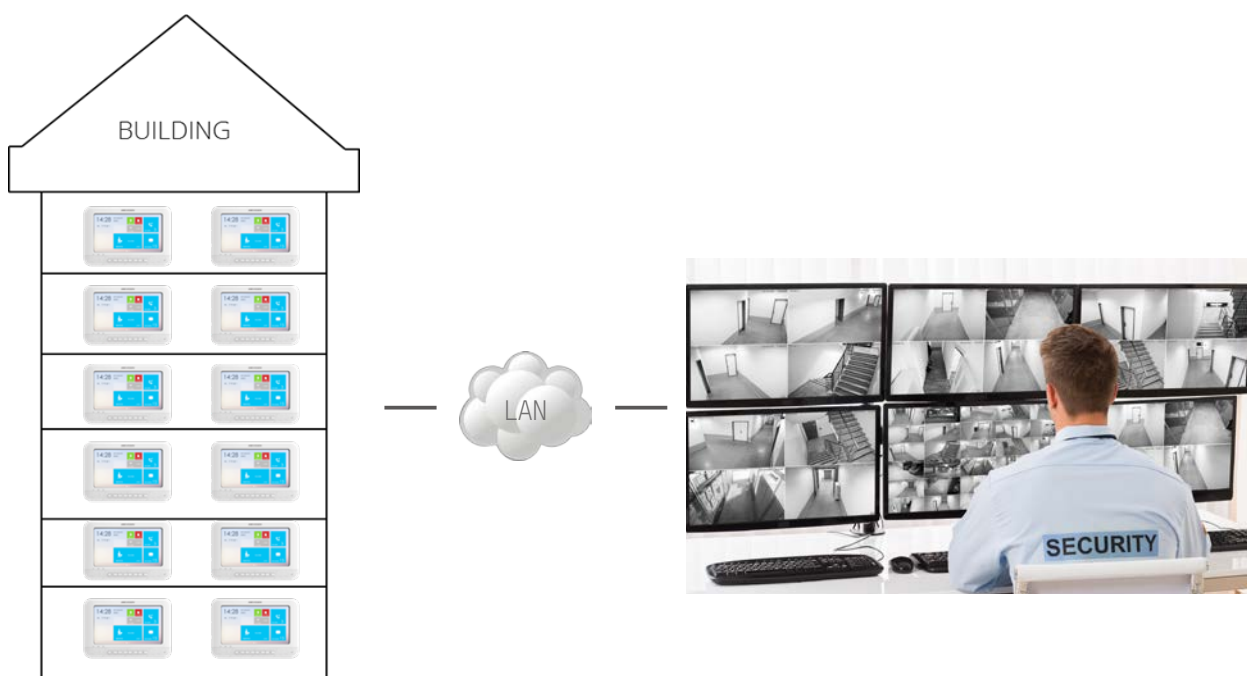
PUSH NOTIFICATIONS AND REMOTE MONITORING

The Hikvision IP intercom system supports app access and when the indoor station receives a call, the call data can be sent to the app. The user can answer a call on the app at any time, from anywhere. When a visitor is welcome, the user can press a button on the app to remotely open the door. The user can access the door station camera for voluntary monitoring. In the case of an unwelcome visitor, the user can remotely ask them to leave.



EASY TO MAINTAIN, EASY TO EXPAND

Access control management, alarm management and querying of various incidents can be performed swiftly via software on the IP intercom system. The intercom system can be managed according to the permissions granted to each user. Batch updating can be used to update the device programs, making system maintenance simple and convenient. With its robust IP framework, the intercom system is easy to expand, supporting a maximum of 1,500 device connections.



PRODUCT SHOWCASE

System Kit



DS-KIS203
4-wire Vandal proof
Video Intercom Kit

- Self-adaptive IR supplement
- Vandal proof for door station
- Metal housing zinc alloy
- One-touch calling
- Remote unlocking
- CCTV integration



DS-KIS202
4-wire
Video Intercom Kit

- Self-adaptive IR supplement
- One-touch calling
- Remote unlocking
- CCTV integration



DS-KIS204
4-wire Picture Storage
Video Intercom Kit

- Self-adaptive IR supplement
- One-touch calling
- Remote unlocking
- CCTV integration
- Support Picture Storage

COMING SOON



DS-KIS701
2-wire IP Video Intercom
Kit

- User friendly interface
- Video intercom on your app remotely
- Metal housing
- One-touch calling
- Remote unlocking



KIS601
IP Video Intercom Kit

- Water proof
- Remote control on your app
- Card readers supported
- Metal housing
- One-touch calling
- Self-adaptive IR supplement
- Access control function

IP Apartment Door station



DS-KD8002-VM
Metal Door Station

- 3.5-inch colourful TFT LCD, display resolution: 480*320
- Camera resolution: 1.3MP, 25fps(P)/30fps(N)
- 10M/100M self-adaptive Ethernet
- 8-ch alarm input, 4-ch alarm output
- Visible light supplement



DS-KD3002-VM
Metal Apartment Door
Station

- 1.3 MP aluminum alloy door station with 3.5" colorful TFT LCD and physical touch key
- Display resolution: 480×320
- Camera resolution: HD720P, 25fps(P)/30fps(N)
- Visible light supplement
- 10M/100M/1000M self-adaptive Ethernet, Wiegand & RS-485
- 8-ch alarm input, 4-ch alarm output,
- IP65, USB 2.0, 12 VDC



DS-KD8102-V
Plastic Door Station

- 3.5-inch colourful TFT LCD, display resolution: 480*320
- Camera resolution: HD720P, 25fps(P)/30fps(N)
- 10M/100M/1000M self-adaptive Ethernet
- 8-ch alarm input, 4-ch alarm output
- IR detection
- Visible light supplement

Doorbell



DS-KB6403-WIP
Wi-Fi Doorbell

- Video intercom function, supporting communication with the mobile app directly
- IP 54 standard
- 1080P camera, 180° field of view
- Supports connection to the mechanical doorbell



DS-KB8112-IM
Vandal-proof doorbell

- HD video surveillance with WDR wide angle and high performance CMOS, up to 720P @ 30 fps
- Supports remote web access and OSD display
- Supports ISAPIs and ONVIF
- IK 9 and IP 66
- Access control function
- Motion detection

Villa Door station



DS-KV81/2/402-IM
Metal Villa Door Station

- Camera resolution: HD720P, 25fps(P)/30fps(N)
- 10M/100M self-adaptive Ethernet
- 4-ch alarm input, 1-ch alarm output
- IP 65 and IR supplement
- 1/2/4-ch Indoor Station access



DS-KV8102-IP/VP
Plastic Villa Door Station

- Camera resolution: HD720P, 25fps(P)/30fps(N)
- 10M/100M self-adaptive Ethernet
- 4-ch alarm input, 1-ch alarm output
- IP 65
- 1-ch Indoor Station access
- Visible light supplement(-VP), IR supplement(-IP)

Analog Door Station



DS-KB2411-IM
Analog 4-wire door station

- Pinhole Camera with 720*576 @ 25 fps
- Video Intercom Communication
- Supports two Door Stations cascading in Intercom System
- Unlocking control
- Self-adaptive IR Supplement



DS-KB2421-IM
Analog 4-wire door station

- Intercom communication with indoor station
- Self-adaptive IR supplement (with photoresistor)
- Pinhole camera with 720*576
- Unlock control
- Anti-oxidant zinc alloy
- Vandal-resistant (IK7)
- Surface mounting
- IP65

IP Indoor Station



DS-KH8300/DS-KH8301-WT
Indoor Station

- 7-inch colourful TFT LCD, display resolution: 1024*600
- 10M/100M self-adaptive Ethernet
- Camera resolution: 640*480, mechanical switch, Wi-Fi 802.11b/g/n, support SD card (DS-KH8301-WT)
- 8-ch alarm input
- Power over Ethernet cable/12V DC

DS-KH6310(-W)
Indoor Station



- 7-inch colourful TFT LCD, display resolution: 800*480
- 10M/100M self-adaptive Ethernet
- Wi-Fi 802.11b/g/n (-W)
- 8-ch alarm input
- Power over Ethernet cable/12V DC

Analog Indoor Station



DS-KH2220
Indoor Station

- 7-inch LCD Screen
- Video Intercom Communication
- Support three Indoor Stations cascading in Intercom System
- Remote unlocking
- Monitoring Door Station and external analog Camera



DS-KH2220-S
Indoor Station

- 7-inch LCD Screen
- Video Intercom Communication
- Support three Indoor Stations cascading in Intercom System
- Remote unlocking
- Monitoring Door Station and external analog Camera
- Support Picture Storage

Master Station



DS-KM8301
Master Station

- 7-Inch colourful TFT LCD, display resolution: 1024*600
- Capacitive touch screen, touch key, physical key
- 10M/100M/1000M self-adaptive Ethernet
- SIP services
- 2 RS-485, 4 on-off Input, 2 on-off output, 2 relay output,

Accessory



DS-KAD606-N
Distributor

- Suitable for indoor station and villa door station
- 8 x 10/100Mbps ports(6-ch network cable powering and 2-ch cascading LAN interfaces)
- Support 24V DC power supply



DS-KAD606/612
Distributor

- Built-in voltage-stabilised power
- Suitable for indoor monitor station and villa door station
- 8 x 100Mbps ports(6-ch network cable powering and 2-ch cascading LAN interfaces) (DS-KAD606)
- 16 x 100Mbps ports (12-ch network cable powering and 4-ch cascading LAN interfaces) (DS-KAD612)

DS-KAW50-1
Power Supply



- Power supply for Door Station and Villa Door Station
- Output: 12V DC, 4.2A

DS-KAW50-1N
Power Supply



- Input voltage:100-240V AC
- Output voltage:12V DC
- Output current: 4.17A
- Output power: 50W
- Short circuit protection, over load protection, and over power voltage protection

DS-KAB21-H
Desktop Mounting Bracket



- Fashionable and beautiful metal bracket
- Special design for indoor station
- Stable and solid



DS-KAB86
Gang Box

- Convenient design available for indoor station wall mounting
- Made of insulating material



DS-KAB01
Protective Shield

- Stainless steel material
- Convenient design available for the wall mounting of the villa door station (DS-KV8X02-IM)
- No insulation



DS-KAB02
Protective Shield

- Stainless steel material
- Convenient design available for the wall mounting of the villa door station (DS-KV8X02-IM)
- No insulation



DS-KAB10-D
Protective Shield

- Stainless steel material
- Convenient design available for the wall mounting of the door station (DS-KD8102-V)
- No insulation



SEEING IS COMMUNICATION
**HIKVISION VIDEO INTERCOM PROMOTION
 MANUAL**

Distributed by



Headquarters

No.555 Qianmo Road, Binjiang District,
 Hangzhou 310051, China
 T +86-571-8807-5998
overseasbusiness@hikvision.com

Hikvision USA
 T +1-909-895-0400
sales.usa@hikvision.com

Hikvision Australia
 T +61-2-8599-4233
salesau@hikvision.com

Hikvision India
 T +91-22-28469900
sales@pramahikvision.com

Hikvision Canada
 T +1-866-200-6690
sales.canada@hikvision.com

Hikvision Thailand
 T +662-275-9949
sales.thailand@hikvision.com

Hikvision Europe
 T +31-23-5542770
sales.eu@hikvision.com

Hikvision Italy
 T +39-0438-6902
info.it@hikvision.com

Hikvision Brazil
 T +55 11 3318-0050
Latam.support@hikvision.com

Hikvision Turkey
 T +90 (216)521 7070- 7074
sales.tr@hikvision.com

Hikvision Malaysia
 T +601-7652-2413
sales.my@hikvision.com

Hikvision UK & Ireland
 T +01628-902140
sales.uk@hikvision.com

Hikvision South Africa
 Tel: +27 (10) 0351172
sale.africa@hikvision.com

Hikvision France
 T +33(0)1-85-330-450
info.fr@hikvision.com

Hikvision Kazakhstan
 T +7-727-9730667
nikia.panfilov@hikvision.ru

Hikvision Vietnam
 T +84-974270888
sales.vt@hikvision.com

Hikvision UAE
 T +971-4-4432090
salesme@hikvision.com

Hikvision Singapore
 T +65-6684-4718
sg@hikvision.com

Hikvision Spain
 T +34-91-737-16-55
info.es@hikvision.com

Hikvision Tashkent
 T +99-87-1238-9438
uzb@hikvision.ru

Hikvision Hong Kong
 T +852-2151-1761
info.hk@hikvision.com

Hikvision Russia
 T +7-495-669-67-99
saleru@hikvision.com

Hikvision Korea
 T +82-(0)31-731-8817
sales.korea@hikvision.com

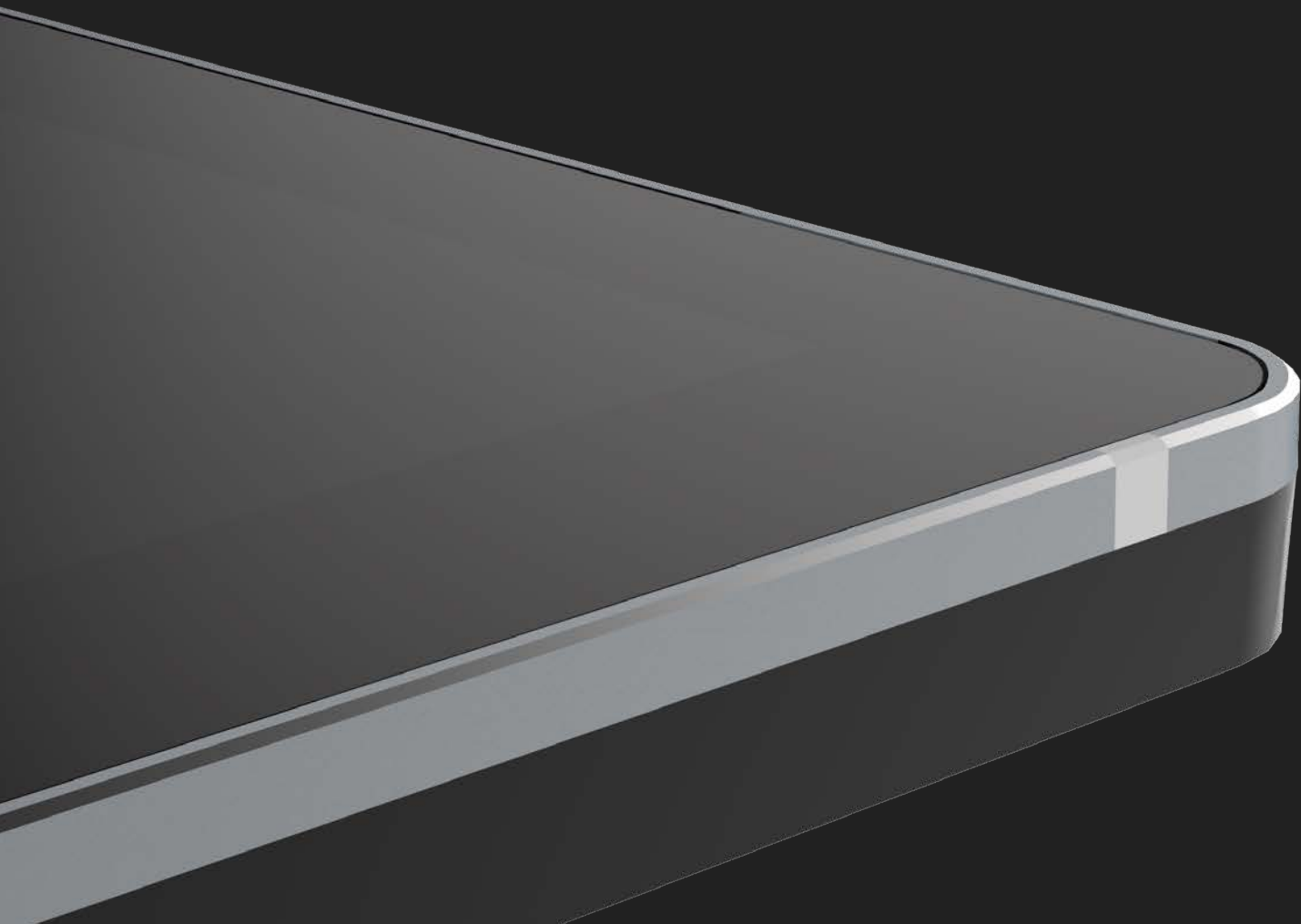
Hikvision Poland
 T +48-22-460-01-50
info.pl@hikvision.com

Hikvision Indonesia
 T +62-21-2933759
Sales.Indonesia@hikvision.com

Hikvision Colombia
sales.colombia@hikvision.com

Follow us on social media to get the latest product and solution information





HIKVISION[®]

**REAL SECURITY,
REALLY CONVENIENT**

SECOND GENERATION
IP VIDEO INTERCOM SYSTEM

WITH HIKVISION AS YOUR PARTNER, YOU WILL STAND ON A SOLID FOUNDATION.

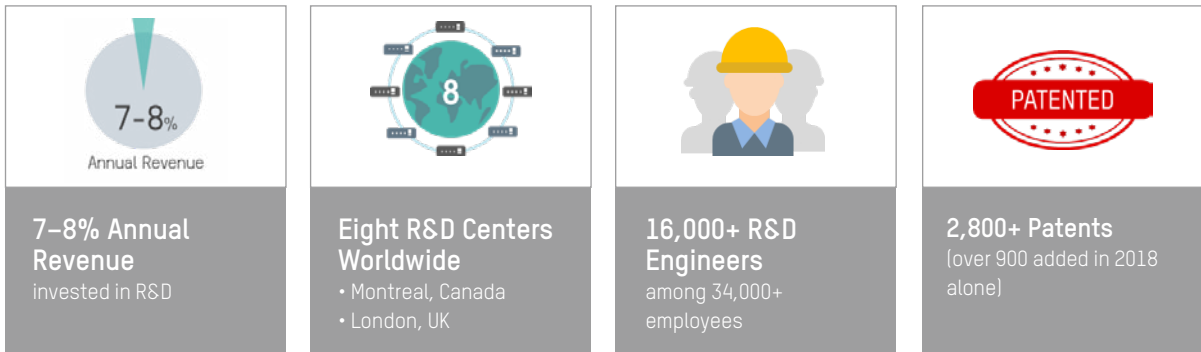
Hikvision is a world leading provider of security products and solutions. Featuring an extensive and highly skilled R&D workforce, Hikvision manufactures a full suite of comprehensive products and solutions for a broad range of vertical markets. In addition to the security industry, Hikvision extends its reach to smart home tech, industrial automation, and automotive electronics industries to achieve its long-term vision. Hikvision products also provide powerful business intelligence for end users, which can enable more efficient operations and greater commercial success. The outstanding capabilities and performance of Hikvision in the security and video surveillance industries have been recognized by leading analyst firms and global awards.



From the early digital age to today's intelligence era, we have seized every opportunity to advance the industry with our innovative technologies.

Hikvision's core technologies include: visual perception, cloud storage, big data, cross-media perception and reasoning, video codec, streaming media networking and management, audio and video data storage, embedded systems development.

As the pioneer in AI technology, Hikvision established an algorithm team for AI technology research in 2006. During this decade, Hikvision first launched deep learning-based servers then expand to a comprehensive range of AI products in 2016. Based on the continually researches and practices, Hikvision developed the AI Cloud structure and ranked No.1 in various global Artificial Intelligence contests.



HIGHLIGHTS

OF THE IP VIDEO INTERCOM SYSTEM

IP Video Intercom

Excellent Image Quality

- Fisheye camera, 2 MP, WDR, Night Vision

Easy Controls & Multiple Applications

- Mobile control / Access control / Elevator control / Dual lock control
- Public password / Duress password / Message / Do not disturb / Custom ringtone / More

Flexible Combinations

- Expansion-ready with various modules
- Multiple installation frames

Elegant Utilitarian Design

- Artistic industrial design
- Reddot Award winner (indoor station)
- Designed for accessibility

CCTV Integration

- All-in-one client management
- Video recording to DVRs / NVRs
- IP camera monitoring

2-Wire Video Intercom

Excellent Image Quality

- Fisheye camera, 2 MP, WDR, Night Vision

Easy Controls & Multiple Applications

- Mobile control / Access control / Dual lock control
- Public password / Duress password / Message / Do not disturb / Custom ringtone

Easy Installation

- Can work with existing wiring
- Long-distance transmission

User Friendly Design

- Touch screen, call-log status, image capture
- Expansion-ready with various modules

CCTV Integration

- All-in-one client management
- Video recording to DVRs / NVRs
- IP camera monitoring





MODULAR DOOR STATION

Hikvision's modular intercom products excel at convenient installation and flexible expansion capabilities. The complete package features a main module with several extension modules ranging from the traditional nametag and keypad module to card readers and display modules, providing an abundance of functionality to customers.



Standard PoE
(IP Version)



2 MP Camera with 180° Wide
Angle and WDR



Driveway and Door Access
Control



2-wire Version



Backlight function



Bigger Nametag



Sleek Designs



Extensive Modularity

INDOOR STATION

These indoor stations received great comments for their clean and simple designs and for an excellent interactive experience. The 7-inch Ultra Series Indoor Station won the Reddot Award in 2017. The indoor stations support standard PoE (IP Version), 2-wire technology, and wall-mounted installation. The wireless connectivity makes installation and configuration quick and easy.



Ultra Series Indoor Station
7-inch
(IP Version)



Pro Series Indoor Station
7-inch
(IP Version)



Ultra Series Indoor Station
10-inch
(IP Version)



Pro Series Indoor Station
7-inch
(2-wire Version)



2-wire Version



Standard PoE
(IP Version)



Link with Alarm Sensors



32 GB SD Card



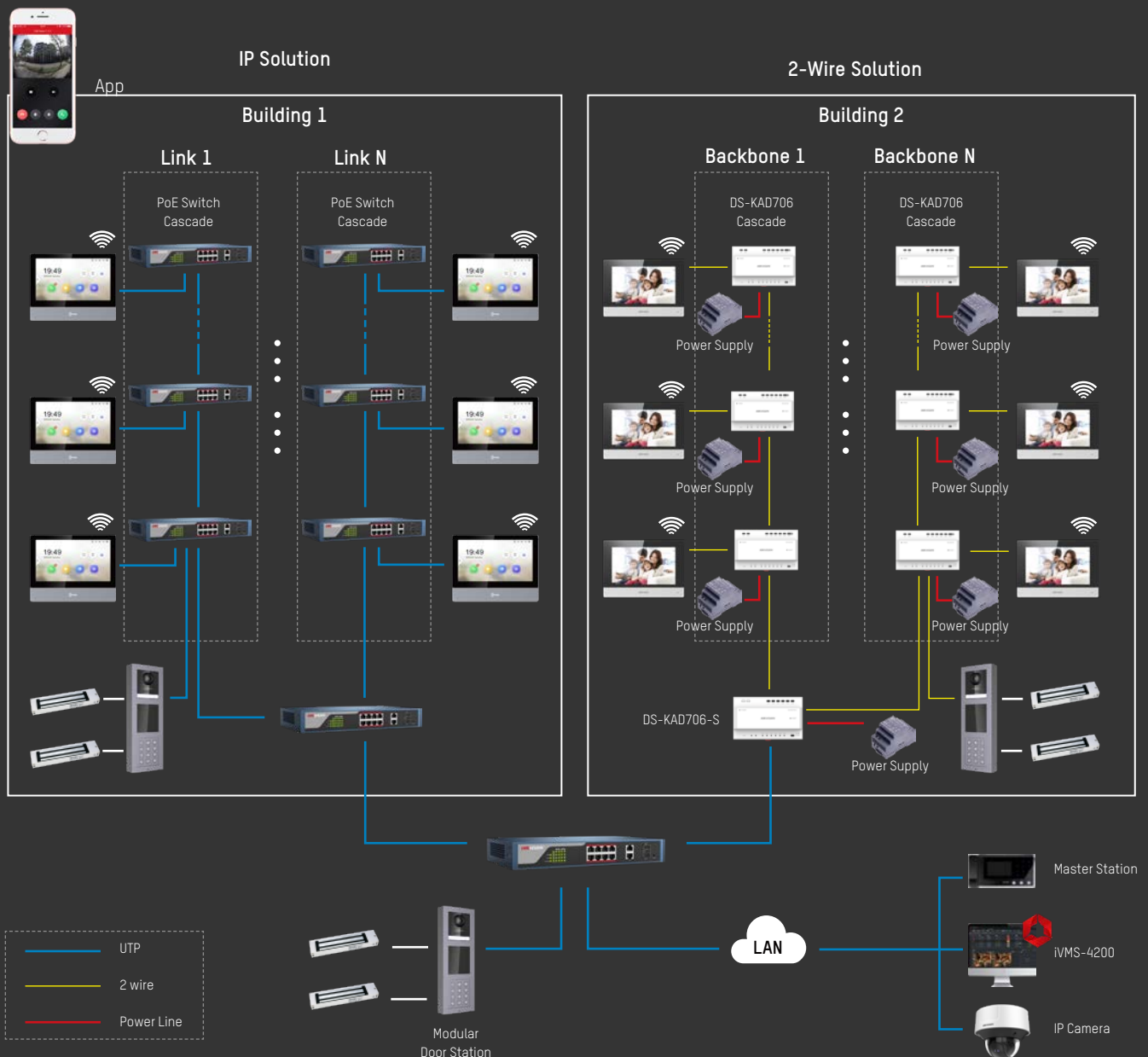
User-friendly Interface



Touch Screen
with 1024 * 600 Resolution

APARTMENT SOLUTION

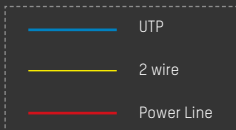
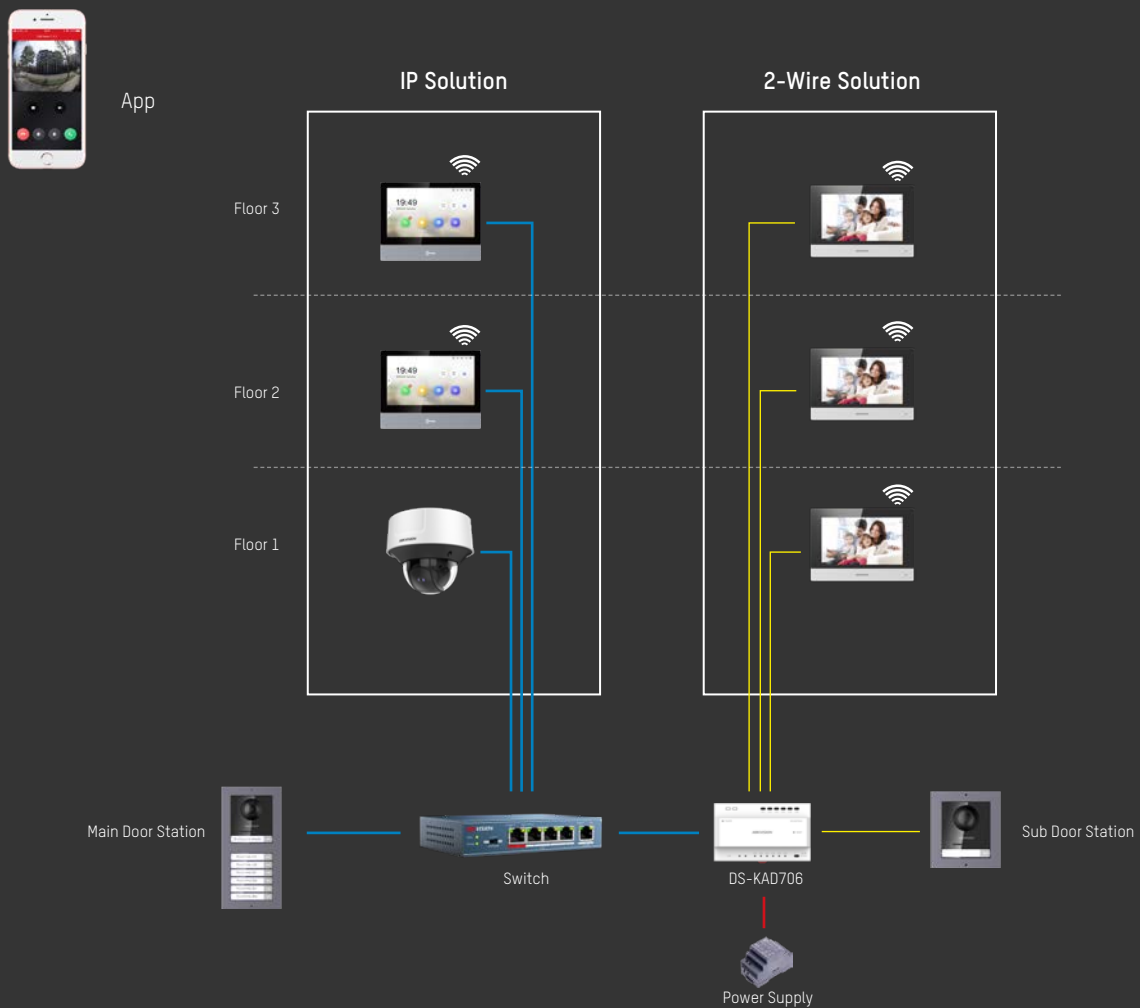
Hikvision offers apartment solutions based on different technologies for various needs. For new apartments, IP solution based on standard PoE design is simple and convenient. For older buildings that lack proper network infrastructure, the 2-wire solution enables the re-usage of existing wiring. Multiple door stations can be installed for one building and residents can unlock them using card or password. Integration with an elevator control system makes the entire system even more secure. Hikvision's IP Video Intercom Apartment Solution is a top choice for intercom and security system in buildings.



VILLA SOLUTION

The villa solution provides thoughtful, useful functions for every member of the home. Users can call multiple indoor stations at the same time and unlock a door at any of the indoor stations. They can also receive all call information and unlock doors remotely and conveniently using the app on a mobile device.

The fisheye camera on the door station renders images clearly both day and night. With the record-to-NVR function, users can check on what's happening at their doorstep. To make this system even better, integrate it with Hikvision's CCTV system, allowing indoor stations to display any IP camera installed around your house. Security and convenience come together in this IP Video Intercom Villa Solution.



EASY MANAGEMENT



Mobile Application



Hik-Connect

Key Benefits

- Control your door remotely with use of the HikConnect mobile app
- Check and play back video of visitors while away
- Manage all your house security solutions with one free service app
- Maintain and adjust basic functions using the mobile app
- Share the account with family members

Central Management Software



iVMS-4200

Key Benefits

- Free Hikvision application manages all devices
- Modular system to select application features you need
- Available modules for Video Surveillance, Intercom, Access Control, and Intrusion Detection
- Alarm notifications module for instant monitoring
- Community notifications to keep the tenants informed
- Single database manages all access control devices



PRODUCT SHOWCASE

IP Video Intercom



DS-KD8003-IME1

Main Unit

- 2 MP HD Colorful Camera
- Fisheye (Horizontal: 180°, Vertical:96°)
- IR Supplement
- IP65
- 12V DC or Standard PoE



DS-KH6320-TE1

Pro Series Indoor Station

- 7-inch Colorful TFT LCD
- Display resolution: 1024 x 600
- 10 / 100 Mbps Ethernet
- Standard PoE (IEEE802.3af) / 12V DC
- TF card, max 32GB
- 8-ch alarm input



DS-KH6320-WTE1

Pro Series Indoor Station

- 7-inch Colorful TFT LCD
- Display resolution: 1024 x 600
- 10 / 100 Mbps Ethernet, Wi-Fi 802.11b/g/n
- Standard PoE (IEEE802.3af) / 12V DC
- TF card, max 32GB
- 8-ch alarm input, 2 x alarm relays, 1 x RS-485



DS-KH8350-TE1

Ultra Series Indoor Station

- 7-inch Colorful TFT LCD
- Display resolution: 1024 x 600
- 10 / 100 Mbps Ethernet
- Standard PoE (IEEE802.3af) / 12V DC
- TF card, max 32GB
- 8-ch alarm input



DS-KH8350-WTE1

Ultra Series Indoor Station

- 7-inch Colorful TFT LCD
- Display resolution: 1024 x 600
- 10 / 100 Mbps Ethernet, Wi-Fi 802.11b/g/n
- Standard PoE (IEEE802.3af) / 12V DC
- TF card, max 32GB
- 8-ch alarm input, 2 x alarm output, 1 x RS-485



DS-KH8520-WTE1

Ultra Series Indoor Station

- 10-inch Colorful TFT LCD
- Display resolution: 1024 x 600
- 10 / 100 Mbps Ethernet, Wi-Fi 802.11b/g/n
- Standard PoE (IEEE802.3af) / 12V DC
- TF card, max 32GB
- 8-ch alarm input, 2 x alarm relays, 1 x RS-485

2-Wire Video Intercom



DS-KD8003-IME2

Main Unit

- 2MP HD Colorful Camera,
- Fish eye (Horizontal: 180°, Vertical:96°),
- IR Supplement ,
- Module connection with RS-485 ,
- 4-ch alarm input
- IP65, Two -wire interface



DS-KH6320-WTE2

Pro Series Indoor Station

- 7-inch Colorful TFT LCD
- High display resolution: 1024 * 600
- Wi-Fi Connection
- Two -wire interface
- TF card, max 32G
- 8-ch alarm input, 2xalarm output



DS-KAD706

Distributor

- 6 Two-Wire Interface for connection and power supply
- Support up to 15 level cascading
- Din rail mounting, 24VDC



DS-KAD706-S

Aggregation Distributor

- 6 Two-Wire Interface for connection
- Din rail mounting, 24VDC



DS-KAW60-2N

Power Adapter

- Power supply for DS-KAD706 & DS-KAD706-S
- Output: 24 VDC, 60W
- Din rail mounting

Extension Module



DS-KD-KP
Keypad Module

- IP65
- Backlight function
- Blind spot design



DS-KD-BK
Blank Module

- IP65



DS-KD-M
MIFARE 1 Card Reader Module

- 13.56 MHz
- IP65
- Backlight function



DS-KD-KK
Nametag Module

- With 6 call buttons
- IP65
- Backlight function



DS-KD-DIS
Display Module

- 3.5-inch LCD
- IP65
- Backlight function



DS-KD-IN
Indicator Module

- IP65
- Backlight function

Installation Frame



DS-KD-ACW1
Single Module Accessories

- Used for surface mounting
- Aviation aluminum



DS-KD-ACW2
Dual Modules Accessories

- Used for surface mounting
- Aviation aluminum



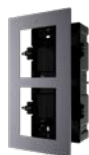
DS-KD-ACW3
Three Modules Accessories

- Used for surface mounting
- Aviation aluminum



DS-KD-ACF1/Plastic
Single Module Accessories

- Used for flush mounting
- Aviation aluminum



DS-KD-ACF2/Plastic
Dual Modules Accessories

- Used for flush mounting
- Aviation aluminum



DS-KD-ACF3/Plastic
Three Modules Accessories

- Used for flush mounting
- Aviation aluminum

TRANSMISSION DISTANCE

When Modular Door Station and Indoor Stations are powered by a standalone power supply, the power line cable distance is:

Cable specification	18 AWG	20 AWG	24 AWG
DS-KH8350 series	50 m	30 m	15 m
DS-KH8520WTE1 series	50 m	30 m	15 m
DS-KH6320 series	50 m	30 m	15 m
1 main unit + 7 extension modules	35 m	25 m	8 m

*Note: The data transmission distance between Modular Door Station and switch, as well as between Indoor Stations, is 100 m. This result is for reference only, actual distance may vary.

When Modular Door Station and Indoor Station are powered by standard PoE switch, the transmission distance is:

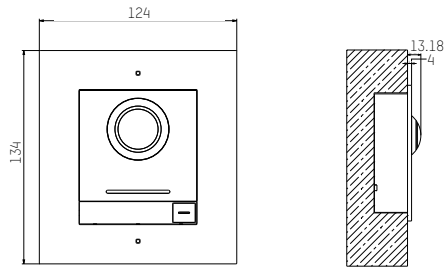
Cable specification	1LN5EU-G/CCA	1LN5E-S	1LN6-UU
DS-KH8350 series	100 m	100 m	100 m
DS-KH8520WTE1 series	100 m	100 m	100 m
DS-KH6320 series	100 m	100 m	100 m
1 main unit + 7 extension modules	60 m	80 m	100 m

*Note: The above data are obtained by tests using Hikvision Cable and under the situation of one Door Station and one Indoor Station. This result is for reference only, actual distance may vary.

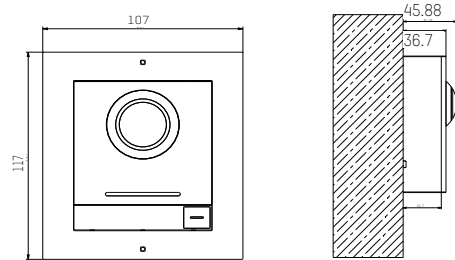
Long Transmission Distance

Cable specification	24 AWG (0.2 mm ² , 9 Ω/100 m) Twisted pair	20 AWG (0.5 mm ² , 3.5 Ω/100 m) Twisted pair	18 AWG (0.8 mm ² , 2.5 Ω/100 m) Twisted pair	16 AWG (1 mm ² , 1.5 Ω/100 m) Twisted pair	24 AWG (0.2 mm ² , 9 Ω/100 m) Parallel lines	20 AWG (0.5 mm ² , 3.5 Ω/100 m) Parallel lines	18 AWG (0.8 mm ² , 2.5 Ω/100 m) Parallel lines	16 AWG (1 mm ² , 1.5 Ω/100 m) Parallel lines
DS-KAD706-S to DS-KAD706	≤60 m	≤60 m	≤60 m	≤50 m	N/A	≤35 m		N/A
DS-KAD706 to DS-KAD706	≤60 m	≤60 m	≤60 m	≤50 m	N/A	≤35 m		N/A
DS-KAD706 to DS-KD8003-IME2	≤35 m	≤60 m	≤60 m	≤50 m	N/A	≤35 m		N/A
DS-KAD706 to DS-KH6320-WTE2	≤35 m	≤100 m	≤100 m	≤100 m	≤50 m	≤100 m	≤100 m	≤100 m

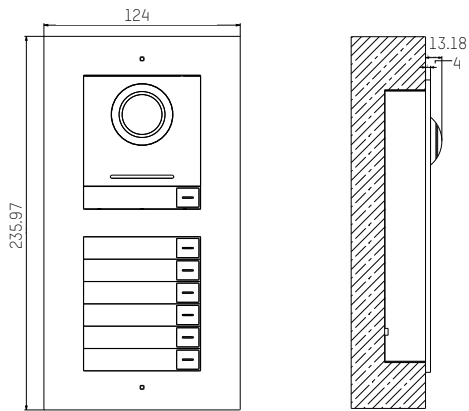
DIMENSIONAL REFERENCE FOR INSTALLATION



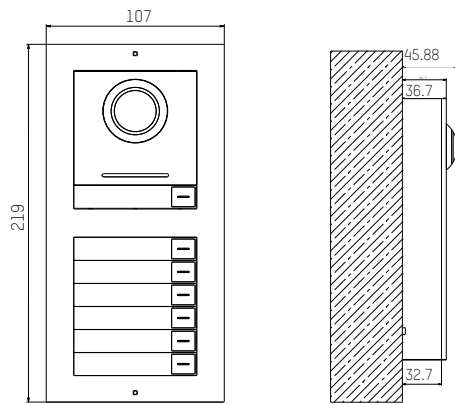
Single Module Flush Mounting



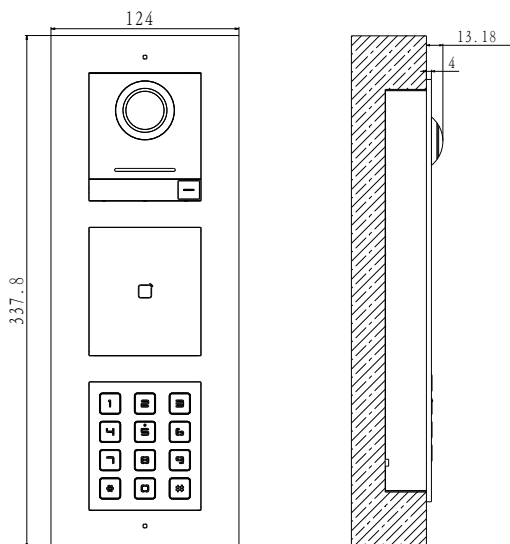
Single Module Surface Mounting



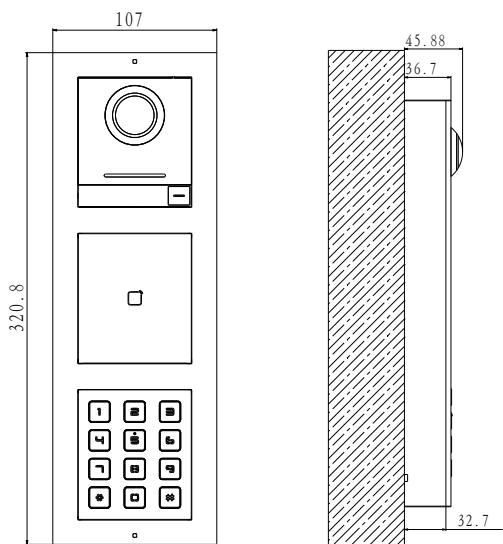
Dual Modules Flush Mounting



Dual Modules Surface Mounting



Three Modules Flush Mounting



Three Modules Surface Mounting

Unit: mm

Unit: mm



**REAL SECURITY, REALLY CONVENIENT
SECOND GENERATION
IP VIDEO INTERCOM SYSTEM**

Distributed by



HIKVISION®

Headquarters

No.555 Qianmo Road, Binjiang District,
Hangzhou 310051, China
T +86-571-8807-5998
overseasbusiness@hikvision.com

Hikvision USA
T +1-909-895-0400
sales.usa@hikvision.com

Hikvision Australia
T +61-2-8599-4233
salesau@hikvision.com

Hikvision India
T +91-22-28469900
sales@pramahikvision.com

Hikvision Canada
T +1-866-200-6690
sales.canada@hikvision.com

Hikvision Thailand
T +662-275-9949
sales.thailand@hikvision.com

Hikvision Germany
T +49-69-401507290
sales.adch@hikvision.com

Hikvision Europe
T +31-23-5542770
sales.eu@hikvision.com

Hikvision Italy
T +39-0438-6902
info.it@hikvision.com

Hikvision Brazil
T +55 11 3318-0050
Latam.support@hikvision.com

Hikvision Turkey
T +90 (216)521 7070- 7074
sales.tr@hikvision.com

Hikvision Malaysia
T +6-032-7224000
sales.my@hikvision.com

Hikvision Philippines
sales.ph@hikvision.com

Hikvision UK & Ireland
T +01628-902140
sales.uk@hikvision.com

Hikvision South Africa
Tel: +27 (10) 0351172
sale.africa@hikvision.com

Hikvision France
T +33(0)1-85-330-450
info.fr@hikvision.com

Hikvision Kazakhstan
T +7-727-9730667
nikia.panfilov@hikvision.ru

Hikvision Vietnam
T +84-974270888
sales.vt@hikvision.com

Hikvision UAE
T +971-4-4432090
salesme@hikvision.com

Hikvision Singapore
T +65-6684-4718
sg@hikvision.com

Hikvision Spain
T +34-91-737-16-55
info.es@hikvision.com

Hikvision Tashkent
T +99-87-1238-9438
uzb@hikvision.ru

Hikvision Hong Kong
T +852-2151-1761
info.hk@hikvision.com

Hikvision Russia
T +7-495-669-67-99
saleru@hikvision.com

Hikvision Korea
T +82-(0)31-731-8817
sales.korea@hikvision.com

Hikvision Poland
T +48-22-460-01-50
info.pl@hikvision.com

Hikvision Indonesia
T +62-21-2933759
Sales.Indonesia@hikvision.com

Hikvision Colombia
sales.colombia@hikvision.com

Follow us on social media to get the latest product and solution information:

